

ES-1



APPLICATIONS

- Home Energy Saver
- Small Office, Commercial & Show Room Energy Saver
- Street Light Energy Saver

SPECIFICATIONS

System	Single Phase
Auxiliary Supply	250V AC
Voltage	200 to 250 VAC
Current	12.5 Amp
Frequency	50 to 60 Hz
Environmental	Operation Temperature - 5° C to 40° C Humidity Max 95% (Non Condensing)
Dimensions	300mm (W) x 200mm (H) x 120mm (D)
Type	Wall Mounting

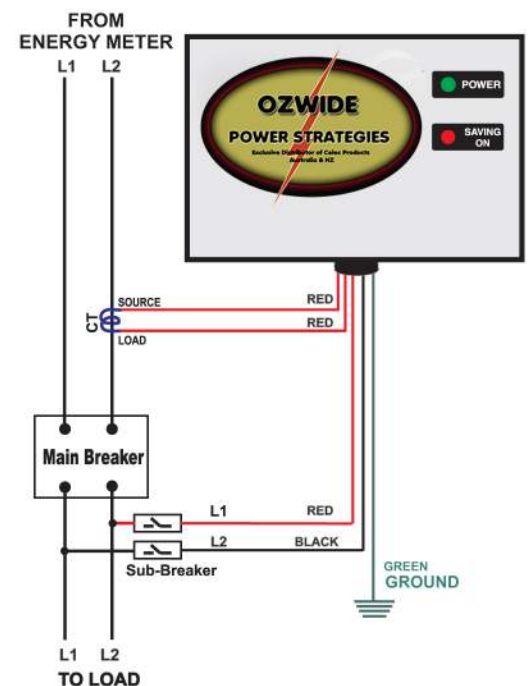
For further information Visit us at www.celec.com

FEATURES

- Home energy saving by Auto Range Capacitor Bank.
- Wireless monitoring of all electrical parameters on PC or Laptop using Energy Saving Dash Board Software.*
- Six different levels of energy saving according to variation in Load.
- Easy to install-Transparent working.

* Against order

CONNECTION DIAGRAM



DASH BOARD FOR HOME ENERGY SAVING

